



CE

Special Features

- Polypropylene case with SS measuring system
- Wetted parts AISI 316L stainless steel
- Accuracy $\pm 0.5\%$ F.S.
- Solid front design features baffle wall interposed between the sensing system, the window and a pressure relieving back for increased safety
- Standard followed ASME - B 40.100

Application

- Suitable for high pressure gas
- Corrosive / hazardous environment that will not obstruct the pressure system.

Specifications

Standard Version : 4 1/2"

Accuracy	:	$\pm 1\%$ F. S. (As per ASME B40.100)
Ambient temperature	:	-20°C to +65°C
Process temperature	:	Max 150°C
Operating pressure range	:	75% of Scale Value
Over pressure limit	:	≤ 100 bar : 125% of Max. Scale Value > 100 to ≤ 600 bar : 115% of Max. Scale Value > 600 to ≤ 1600 bar : 110% of Max. Scale Value
Case	:	Fibre Glass Reinforced Polypropylene
Bourdon	:	AISI 316L SS
Socket	:	AISI 316L SS
Movement	:	AISI 304 SS
Joints	:	Tig Argon Arc Welding
Protection	:	IP 68
Dial	:	Aluminium, black graduation on white background
Pointer	:	Aluminium, black Coloured, Micrometer Zero Adjustable
Window	:	Toughened Glass
Blow off Disc	:	Stainless Steel
Gasket	:	Neoprene

Dry But Fillable Version (Option DFG)

Fillable Dampening Liquid	:	Glycerine 99.7%
Ambient Temperature	:	Maximum 65°C
Process Temperature	:	Maximum 65°C
Other Features	:	Refer Specification of Standard Version

Glycerine Filled Version (Option LFG)

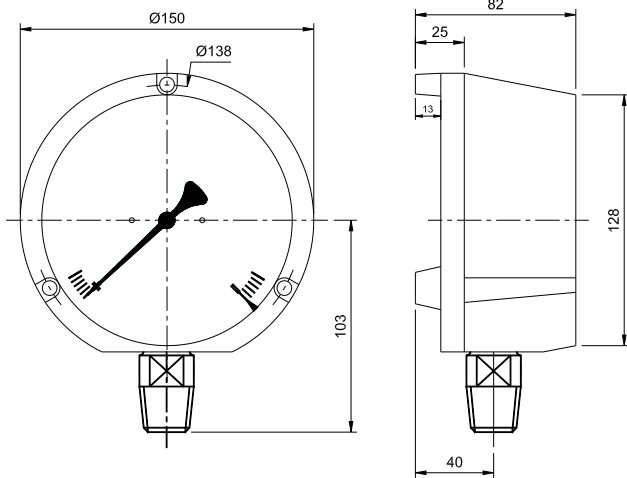
Accuracy	:	$\pm 1.0\%$ of F. S.
Ambient Temperature	:	Maximum 65°C
Process Temperature	:	Maximum 65°C
Dampening Liquids	:	Glycerine 99.7% (Others available as Option)
Other Features	:	Refer Specification of Standard Version
Protection	:	IP 68

Temperature effect:

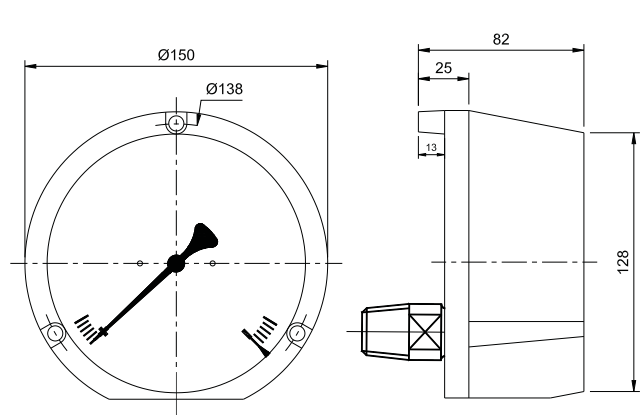
The variation of indication caused by effects of temperature is to be calculated by below formula; which is to be added in the specified accuracy while measurement :- Formula : $\pm 0.04 \times (t_2 - t_1) \%$ of F. S. where t_1 = reference temperature (+20°C) and t_2 = ambient temperature in °C.

Dimensions - standard version

TYPE 1



TYPE 3



- Notes :
- Drawings are not to scale.
 - All Dimensions are in mm.
 - Weights mentioned are approximate and for standard product.
 - Weight can be different after selection of options.

Note : We offer National / International Scales like kPa, MPa, bar, psi, kg/cm² & Dual Scale like kPa with psi, kPa with bar, bar with psi or Equivalent scales as per the requirement can be provided on request. Following are the example tables for kg/cm² & psi scales

Pressure Range

Single Scale (kg/cm² or bar)

0/0.6	0/4	0/25	0/160	0/1000
0/1	0/6	0/40	0/250	0/1600
0/1.6	0/10	0/60	0/400	
0/2.5	0/16	0/100	0/600	

Dual Scale (kg/cm² with psi)

psi	kg/cm ²	psi	kg/cm ²	psi	kg/cm ²
0/15	0/1	0/400	0/28	0/4000	0/280
0/30	0/2	0/500	0/35	0/5000	0/350
0/60	0/4	0/600	0/40	0/6000	0/400
0/100	0/7	0/1000	0/70	0/10000	0/700
0/150	0/10	0/1500	0/100	0/15000	0/1000
0/220	0/16	0/2200	0/160	0/22000	0/1600
0/300	0/20	0/3000	0/200		

Vacuum & Compound Range

Dual Scale		Dual Scale		Dual Scale	
inHg with psi	mmHg with kg/cm ²	inHg with psi	mmHg with kg/cm ²	inHg with psi	mmHg with kg/cm ²
- 30/0	- 760 / 0	- 30/60	- 760 / 3	- 30/200	- 760 / 15
- 30/15	- 760 / 1	- 30/100	- 760 / 6	- 30/300	- 760 / 20
- 30/30	- 760 / 2	- 30/150	- 760 / 9	- 30/350	- 760 / 24
Single Scale (kg/cm ²)					
- 1/0	- 1/1.5	- 1/5	- 1/15		
- 1/0.6	- 1/3	- 1/9	- 1/24		

Accessories (Refer Datasheet for complete specifications)

CT Cooling tower	GC Gauge cock	GS Over load protector (gauge saver)**
* Needle valve	SN Snubber	SP Siphon

* Refer catalogue for Valves & Manifolds. ** For Pressure Ranges.

How To Order			Example
Basic Model			PPS
Code			
Nominal Size		45	XX
		4-1/2"	
Type of Mounting			
1	Wall / surface / projection mounting with bottom entry		X
3	Direct lower back entry (never fillable)		
Gauge Connection			
3BM	3/8" BSP (M)		XXX
4BM	1/2" BSP (M) Standard		
2NM	1/4" NPT (M) Standard		
4NM	1/2" NPT (M) Standard		
Note : Connections like Metric / PT / PF / Flaired / UNF / G / R etc can be provided on request.			
Range			0/10 kg/cm ²
Refer range table			
Optional Extras			
AC5	Accuracy 0.5% of F.S.	STG	Shatterproof / safety glass
MBS	Monel bourdon & socket (Monel version)**	CNS	Conformity as per NACE Standard
TRC	Calibration certificate traceable to National / International standards	DFS	Dry but Fillable Version (Silicon)
CDD	Custom designed dial	DFG	Dry but Fillable Version (Glycerin)
OXS	Oxygen service (for dry version)	MDJ	Movement with dampening jelly
TND	Tag No. on Marking on Dial	DSS	Integral dampening screw (AISI 316 SS)
STP	SS tag plate	DSM	Integral dampening screw (monel)**
HLT	Helium leak test	ORP	Over Range Protection 150% of F.S.
EP6	Enclosure protection IP 66	MTC	Material test certificates***
MOS	AISI 316 SS movement		
* Gasket & Filling plug of Viton.			
** Integral dampening screw will be in monel if ordered. Refer option DSM			
*** Material certificates test will be provided for wetted parts only with chemical composition testing. For others, please consult factory.			

Ordering Example: PPS - XX - X - XXX - 0/10 kg/cm² - XXX

For other optional items, please contact factory for delivery and minimum quantity of order.

Note : Specifications and dimensions given in this product catalogue represents the state of engineering at the time of printing. Modifications may take place and materials specified may be replaced by others without prior notice.