

Special Features

- Welded diaphragm
- Most suitable for slurry & corrosive service
- Flushing ring, flange & diaphragm are Available in various type of ss & exotic materials

Application

- Diaphragm seals are provided in the instruments like pressure Gauges, switches, transmitters in order to isolate the sensing Element from the main service due to its corrosive, viscous and Sedimented nature and to avoid clogging and solidification.
- These kind of seals are widely used in the viscous & corrosive services where flushing is required periodically & frequently

Specifications

Standard Version (For Flange Size 1-1/2" And Above)

(Compatible models : PPS, SF6, WP6, WP4, DD1, DD2, DB, BEC, DEC)

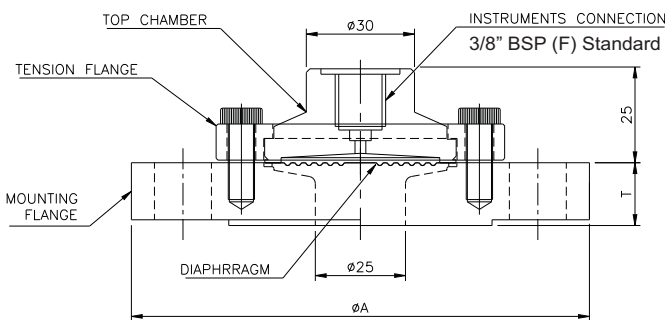
Seal type	: S53 = -1 to 0 kg/cm ² & 0 to 250 kg/cm ² (Non PTFE Lined)* (Standard)
	: P53 = -1 to 0 kg/cm ² & 0 to 40 kg/cm ² (PTFE Lined)*
Process temperature	: Max. 150°C for PTFE lined
	: -40°C to 200°C for without PTFE lined
Instrument connection	: 3/8" BSP (F)
Process connection	: Flange (As per DIN/BS/ANSI/JIS), 40 NB (1-1/2") & above
Fill fluid	: Silicon Oil - DC 200
Flange finish	: 125-250 AARH

* Range of selected instrument shall be suitable to flange pressure rating.

Diaphragm	: AISI 316L SS
Top chamber	: AISI 304 SS
Flange	: AISI 316 SS

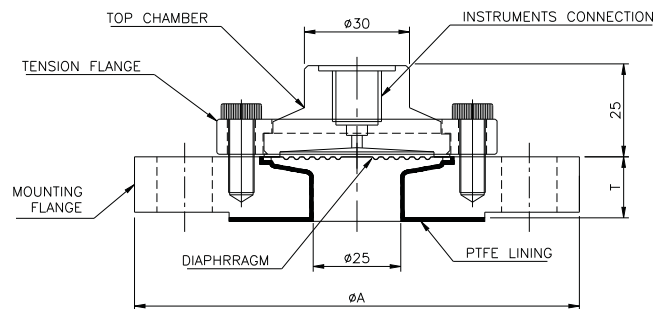
Dimensions - Standard Version

SEAL TYPE : S53



WITHOUT PTFE LINED

SEAL TYPE : P53



PTFE LINED

** As per standard flange table ANSI, DIN, BS, JIS, Etc.,

Flange Table With Ordering Codes

How To Select

E.g. For flange size of 1-1/2" as per BS-10 table e with raised face : C10 - FF

RF Raised Face

FF Flat Face

Flange Finish shall be 125 - 250 AARH as a standard. For other finish, please consult factory.

As Per DIN 2527

DN	PN	CODE	DN	PN	CODE
40	6	A41	65	6	A61
	10	A42		10	A62
	16	A43		16	A63
	25	A44		25	A64
	40	A45		40	A65
	64	A46		64	A66
	100	A47		100	A67
	160	A48		160	A68
	250	A49		250	A69
	400	A50		400	A70
50	6	A51	80	6	A71
	10	A52		10	A72
	16	A53		16	A73
	25	A54		25	A74
	40	A55		40	A75
	64	A56		64	A76
	100	A57		100	A77
	160	A58		160	A78
	250	A59		250	A79
	400	A60		400	A80

As Per DIN 2642

DN	PN	CODE
40	10	A95
50		A96
65		A97
80		A98

As Per DIN 2633

DN	PN	CODE
40	16	A86
50		A87
65		A88
80		A89

As Per DIN 2635

DN	PN	CODE
40	40	B05
50		B06
65		B07
80		B08

As Per JIS - B 2210

NOMINAL SIZE	RATING /CLASS	CODE
40A	5K	B72
	10K	B73
	40K	B74

As Per BS - 10

NOMINAL SIZE	TABLE	CODE
1 1/2"	D	C09
	E	C10
	F	C11
	H	C12
	J	C13
	K	C14
	2"	D
E		C16
F		C17
H		C18
J		C19
K		C20

NOMINAL SIZE	RATING /CLASS	CODE
50A	5K	B75
	10K	B76
	40K	B77
65A	5K	B78
	10K	B79
	40K	B80
80A	5K	B81
	10K	B82
	40K	B83

As Per ANSI B 16.5

NOMINAL SIZE	RATING /CLASS	CODE	NOMINAL SIZE	RATING /CLASS	CODE
1 1/2"	150	B33	2 1/2"	150	B45
	300	B34		300	B46
	600	B35		600	B47
	900	B36		900	B48
	1500	B37		1500	B49
	2500	B38		2500	B50
2"	150	B39	3"	150	B51
	300	B40		300	B52
	600	B41		600	B53
	900	B42		900	B54
	1500	B43		1500	B55
	2500	B44		2500	B56

NOMINAL SIZE	TABLE	CODE
2 1/2"	D	C21
	E	C22
	F	C23
	H	C24
	J	C25
	K	C26
3"	D	C27
	E	C28
	F	C29
	H	C30
	J	C31
	K	C32

How To Order	Example
Basic Model	
Code	FDB
Optional Extras	
[It is recommended that the MOC of Diaphragm & flange should be equivalent.]	
Seal Type	
S53 -1 to 0 kg/cm ² & 0 to 250 kg/cm ² (Non PTFE Lined) (Standard)* P53 -1 to 0 kg/cm ² & 0 to 40 kg/cm ² (PTFE Lined)*	XXX
* Range of selected instrument shall be suitable to flange pressure rating.	
Instrument Connection	
4NF ½" NPT (F) 4BF ½" BSP (F) 3BF 3/8" BSP (F)	XX
Top Chamber	
SL AISI 316L SS CS Carbon Steel	XX
S6 AISI 316 SS S4 AISI 304 SS (standard)	
Diaphragm	
TN Tantalum TI Titanium SI SILVER# KE PTFE*	XX
HC Hastelloy 'C' MO Monel SL AISI 316L SS (Standard)	
Flange Material	
S4 AISI 304 SS CS Carbon Steel S6 AISI 316 SS (standard)	XX
SL AISI 316L SS MO Monel HC Hastelloy C	
Process Connection	
As Per DIN / BS / ANSI / JIS (select Code From Flange Table)	XXX
Protection On Wetted Parts	
PL PTFE Lining On Bottom Chamber - 2 mm Thick (Max. Up to 150°C)	
PT PTFE Protection For Diaphragm (Max. Up to 150°C) & suitable for Pressure Ranges only)	XX
PC PTFE Coating On Diaphragm (Max. Up to 315°C)	
Filling Fluids (* Consult factory for specifications, price and delivery.)	
S1 Silicon DC 200 [-40 to 205°C] (Standard) S3 Silicon DC 710 [7 to 371°C]	
FG Food Grade OIL [-20 to 140°C] SY Syltherm 800 [-40 to 315°C]	XX
S2 Silicon DC 704 [10 to 337°C]	
Remote Mounting (With capillary of Max. Up to 6 Mtrs.)	
Specify In Meters (e.g. 1.5 = 1.5 METERS 2.0 = 2 METERS)	3Mtr.
Capillary	
PE AISI 304 SS PG AISI 316 SS	XX
Capillary Covered With Armour (applicable If Capillary is Selected)	
S4 AISI 304 SS S6 AISI 316 SS PC PVC (Ambient Temp. Max. 60°C)	XX
Options	
HLT Helium Leak Test WOI Dry Seal Only Without Instrument MTC Material Test Certificates*	XX
CNS Conformity as per NACE Standard	
* Material Test Certificates Will Be Provided For Wetted Parts Only With Chemical Composition Testing. For Others, Please Consult Factory.	
Refer Datasheet FLR for selection of Flushing Rings.	
Ordering Example: FDB - XXX - XX - XX - XX - XXX - XX - XX - 3mtr - XX - XX - XX	
For Other Optional Items, Please Contact Factory For Delivery And Minimum Quantity Of Order.	

Note : Specifications and dimensions given in this product catalogue represents the state of engineering at the time of printing. Modifications may take place and materials specified may be replaced by others without prior notice.