



Special Features

- CE Approved electrical contacts
- Stainless steel case & measuring system
- Standard followed in general EN 837-1

Application

- To control the electrical operation of compressors
- Pumps
- Motors
- Presses
- Hydraulic
- Pneumatic equipments
- Chemicals
- Petrochemical plants

Specifications

Standard Version : 100 mm & 150 mm

Accuracy	: ±1.0% of F.S.
Ambient temperature	: - 20°C to + 65°C
Process temperature	: Max. 100°C
Electric wiring	: DIN Connector
Contact setting	: Over on arc of 270° through a knob placed on front of lens
Operating pressure range	: 75% of Scale Value
Over pressure limit	: Not Suitable

Case & Bezel	: AISI 304 SS (Bayonet Type)
Bourdon	: AISI 316 SS
Socket	: AISI 316 SS (Directly welded to case)
Movement	: AISI 304 SS
Joints	: Tig Argon Arc Welding

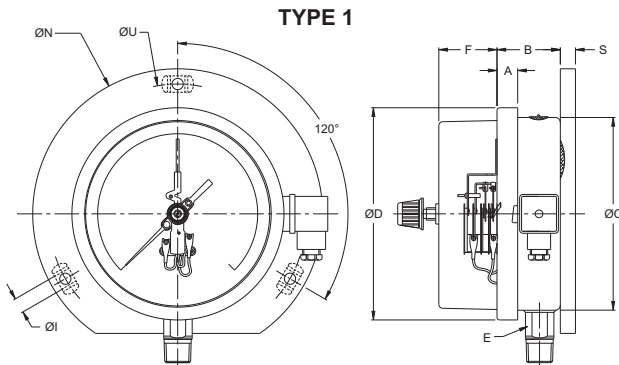
Protection	: IP 65
Dial	: Aluminum, black graduation on white background
Pointer	: Aluminum, black coloured micrometer zero adjustable
Window	: Polycarbonate Dome
Electrical Contacts*	: Refer How to Order
Blow off Disc	: Neoprene
Gasket & Filling Plug	: Neoprene

* Please specify contact set points while ordering.

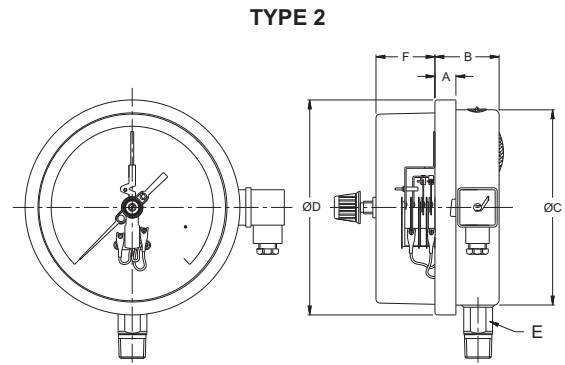
Temperature effect:

The variation of indication caused by effects of temperature is to be calculated by below formula; which is to be added in the specified accuracy while measurement :- Formula : $\pm 0.04 \times (t_2 - t_1) \%$ of F. S. where t_1 = reference temperature (+20°C) and t_2 = ambient temperature in °C.
Note : The addition of mechanical electric contacts affects the accuracy of instruments such that 1% becomes 1.5%, 1.6% becomes 2.4% etc. (Add the 50% of accuracy; If the contact is of the magnetically assisted type, this value can't be added within the $\pm 5\%$ of setting point.)

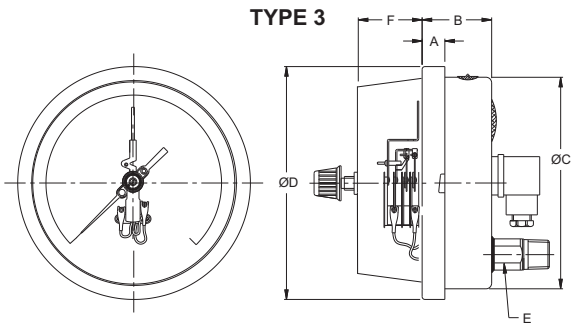
Dimensions - standard version



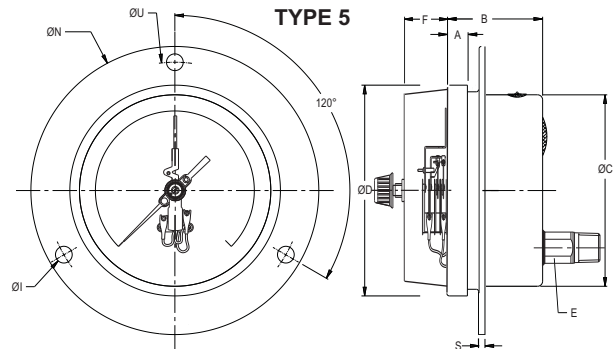
NS	A	B	ØC	ØD	E	F	ØI	ØN	ØU	L	S	Weight in gram (With Box)
100	12.5	45	100	111	22	44	6	134	118	14.5	6	890.0
150	15	46.5	149	161	22	44	6	186	168	14.5	6	1370.0



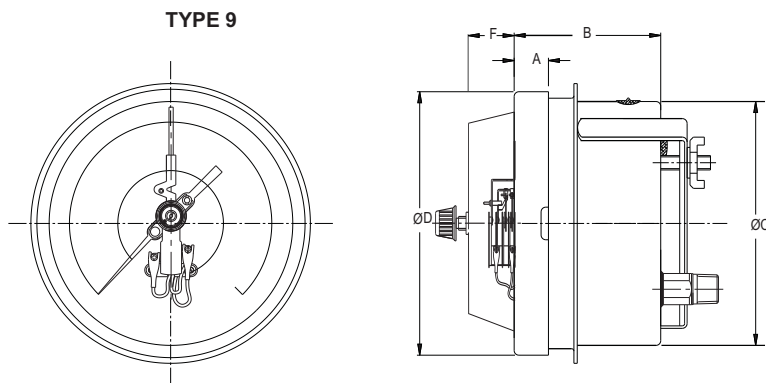
NS	A	B	ØC	ØD	E	F	Weight in gram (With Box)
100	12.5	47	100	111	22	44	800.0
150	15	49	149	161	22	44	1200.0



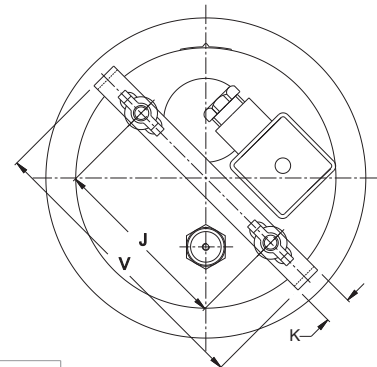
NS	A	B	ØC	ØD	E	F	Weight in gram (With Box)
100	12.5	47	100	111	22	44	790.0
150	15	49	149	161	22	44	1140.0



NS	A	B	ØC	ØD	E	F	ØI	ØN	ØU	Weight in gram (With Box)
100	12.5	47	100	111	A/F 22	44	6	134	118	860.0
150	15	49	149	161	A/F 22	44	6	186	168	1300.0

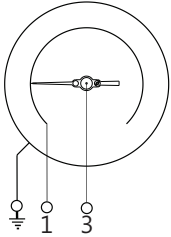
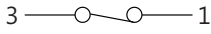
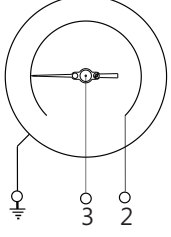
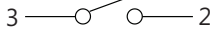
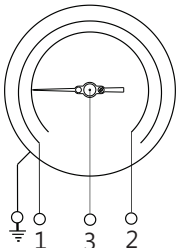
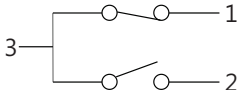
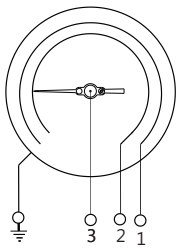
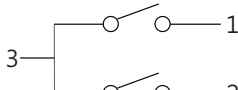
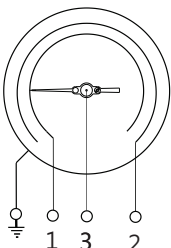
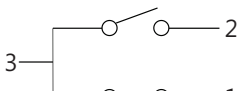
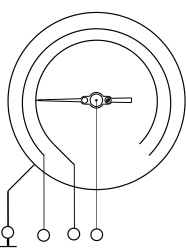
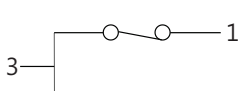


NS	A	B	ØC	ØD	E	F	J	K	V	Weight in gram (With Box)
100	12.5	47	100	111	A/F 22	44	72	16	108	870.0
150	15	49	149	161	A/F 22	44	106.5	16	166	1240.0



Electrical Contact Wiring Information

Wiring diagrams for electric contacts

Single Contact			
<p>1 NO</p> 	 <p>Opening</p>	<p>1 NC</p> 	 <p>Closing</p>
Double contact			
<p>1 NO + 1 NC</p> 	 <p>Opening 1 Closing 2</p>	<p>1 NC + 1 NC</p> 	 <p>Closing 1 Closing 2</p>
<p>1 NC + 1 NO</p> 	 <p>Closing 2 Opening 1</p>	<p>1 NO + 1 NO</p> 	 <p>Opening 1 Opening 2</p>

Range Table

Note : We offer Pressure, Vacuum and Compound ranges in Scales like kPa, MPa, bar, psi, kg/cm² & Dual Scale like kPa with psi, kPa with bar, bar with psi or scales as per the requirement can be provided on request. Following are the example tables for kg/cm² & psi scales

Pressure & Compound

Pressure - single scale (kg/cm ² or bar)				Compound - single scale (kg/cm ² or bar)	
0/1.6	0/10	0/60	0/400		
0/2.5	0/16	0/100	0/600		-1/5
0/4	0/25	0/160	0/1000		-1/9
0/6	0/40	0/250	0/1600		-1/15

Dual scale (psi with kg/cm²)

psi	kg/cm ²	psi	kg/cm ²	psi	kg/cm ²	psi	kg/cm ²
0/25	0/1.6	0/220	0/16	0/1500	0/100	0/10000	0/700
0/35	0/2.5	0/300	0/20	0/2200	0/160	0/15000	0/1000
0/60	0/4	0/400	0/28	0/3000	0/200	0/22000	0/1600
0/100	0/7	0/600	0/40	0/4000	0/280		
0/150	0/10	0/1000	0/70	0/6000	0/400		

How To Order				Example
Basic Model				EC
Code				
Nominal Size	40	60		XX
	100 mm	150 mm		
Type of Mounting				
1	Wall, surface, projection mounting with bottom entry	5	Flush panel back entry with front flange	X
2	Direct bottom entry	9	Back entry with mounting bracket	
3	Direct lower back entry			
Electric Contacts (CE Approved)				
(For dry version, with ingress protection up to IP 55 & poly carbonate dome as a window)				
A) Single insulated magnetic snap action type (230 V AC, 1 Amp.) (48 V DC, 0.5 Amp.) (Available for 1 kg/cm² & above)		B) Inductive type (220 V AC, 0.4 Amp.) (Available for 1000 mm WC & above)		
M1	Single; normally closed (1 NC)	D1	Single; normally open (1 NO)	XX
M2	Double; normally closed + normally open (1 NC + 1 NO)	D2	Single; normally closed (1 NC)	
M3	Single; normally open (1 NO)	D3	Double; normally closed + normally open (1 NC + 1 NO)	
M4	Double; normally open + normally closed (1 NO + 1 NC)	D4	Double; normally open (both NO)	
M5	Double; normally closed (both NC)	D5	Double; normally closed (both NC)	
M6	Double; normally open (both NO)	D6	Double; normally open + normally closed (1 NO + 1 NC)	
Gauge Connection				
3BM	3/8" BSP (M) Standard	2NM	1/4" NPT (M)	XXX
4BM	1/2" BSP (M) Standard	4NM	1/2" NPT (M) Standard	
		4TM	1/2" BSPT (M)	
		4MM	M20 x 1.5 (M)	
Range				0/10 kg/cm ²
Refer range table				
Options				
CBS	AISI 316 SS case & bezel	CNS	Conformity as per NACE Standard	XXX
MBS	Monel bourdon & socket (Monel version)**	TFC	Calibration certificate traceable to National/International standards	
CBS	Case & Bezel SS316	MTC	Material test certificates#	
CDD	Custom designed dial	DOF	Dielectric oil filled	
TND	Dial tag marking			
STP	SS tag plate			
* Consult factory for minimum order quantity & delivery.				
**Integral dampening screw will be in monel if ordered. Refer option FL. ## Consult factory for dial design approval.				
*** Material test certificates will be provided for wetted parts only with chemical composition testing. For others, Please consult factory.				
Ordering Example: EC - XX - X - XX -X XX - 0/10 kg/cm² - XXX				

For other optional items, please contact factory for delivery and minimum quantity of order.

Note : Specifications and dimensions given in this product catalogue represents the state of engineering at the time of printing .

Modifications may take place and materials specified may be replaced by others without prior notice.