



CE

### Special Features

- CE approved electrical contacts
- Case & measuring system in SS
- Dry or liquid filled
- Standard followed in general EN 837 - 3

### Application

- Suitable for clean air
- Compatible gases
- Fertilizer
- Petrochemicals
- Pharmaceutical
- Power
- Cement
- Sugar
- Food & beverages
- Pulp
- Paper
- Allied process industries

### Specifications

#### Standard Version : 100 mm & 150 mm

Accuracy	:	±2.5% of F.S. (For ascending order)
Ambient temperature	:	- 25°C to + 65°C
Process temperature	:	Max. 100°C
Static pressure	:	2.5 kg/cm <sup>2</sup> up to ranges 600 mmWC
	:	10 kg/cm <sup>2</sup> for ranges 1000 mmWC to 6000 mmWC
	:	40 kg/cm <sup>2</sup> for ranges 1 Kg/cm <sup>2</sup> & above

Case & bezel	:	AISI 304 SS (Bayonet Type)
Diaphragm	:	Spring Steel with PTFE protection (AISI 316L SS on request)
Nuts & bolts	:	AISI 304 SS
Process connection	:	¼" NPT (F) x 2 Nos.
Seal chamber	:	AISI 304 SS
Movement	:	AISI 304 SS

Protection	:	IP 68
Dial	:	Aluminum, black graduation on white background
Pointer	:	Aluminum, black coloured, Micrometer Zero Adjustable
Window	:	Shatter proof / Safety Glass
Case Gasket	:	Neoprene
Scale Amplitude	:	180 to 270 (Depends on Range)

#### Glycerine filled version (option DLG)

Accuracy	:	±4% of F. S. (For ascending order)
Ambient Temperature	:	Maximum 65°C
Process Temperature	:	Maximum 65°C
Window	:	Plexi Glass
Dampening Liquids	:	Glycerin 99.7%
Other Features	:	Refer Specification of Standard Version

#### Electrical contacts - dry version

Accuracy	:	±3% of F. S. (For ascending order)
Ambient Temperature	:	Maximum 65°C
Process Temperature	:	Maximum 65°C
Window	:	Polycarbonate Dome
Dampening Liquids	:	Dielectric Oil (Optional)
Electrical Contacts*	:	Refer How to Order
Other Features	:	Refer Specification of Standard Version

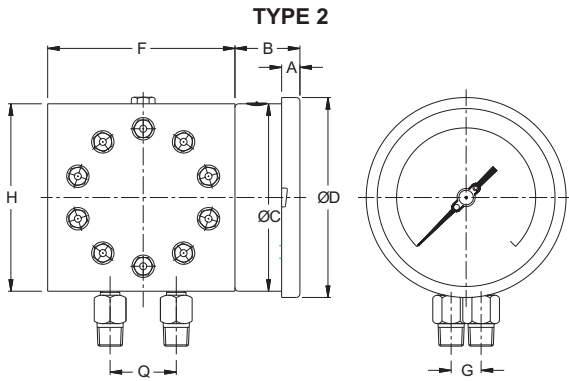
\* Please specify contact set points while ordering.

#### Temperature effect:

The variation of indication caused by effects of temperature is to be calculated by below formula; which is to be added in the specified accuracy while measurement :- Formula :  $\pm 0.08 \times (t_2 - t_1) \% \text{ of F. S.}$  where  $t_1$  = reference temperature (+20°C) and  $t_2$  = ambient temperature in °C.

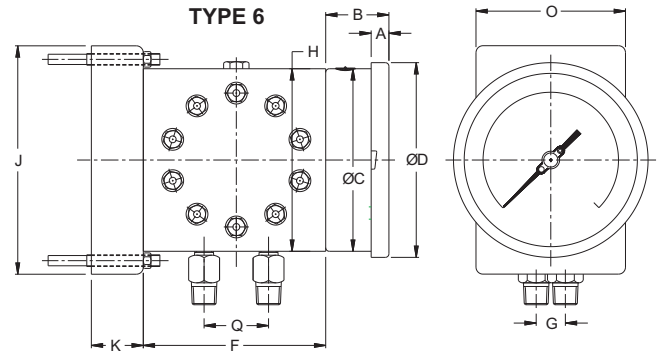
Note : The addition of mechanical electric contacts affects the accuracy of instruments such that 1% becomes 1.5%, 1.6% becomes 2.4% etc. (Add the 50% of accuracy; If the contact is of the magnetically assisted type, this value can't be added within the ±5% of setting point.)

## Dimensions - standard version



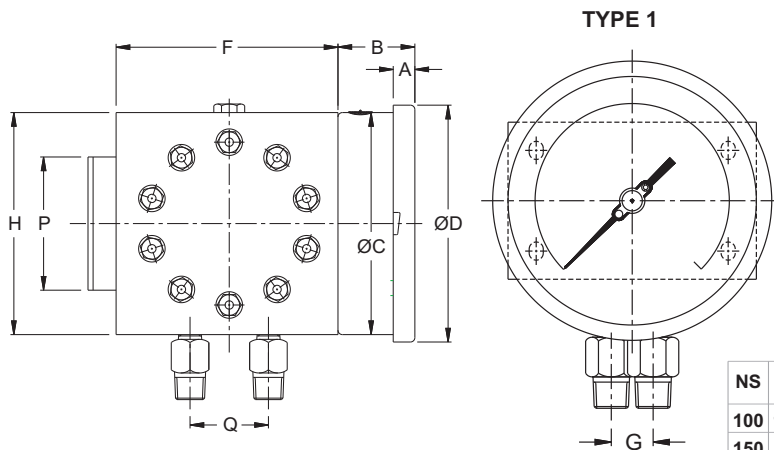
**LOW PRESSURE CHAMBER**

NS	A	B	ØC	ØD	F	H	G	Q	Weight in gram (With Box)
100	12.5	47	100	111	150	150	24	54	8100.0
150	15	49	149	161	150	150	24	54	8260.0



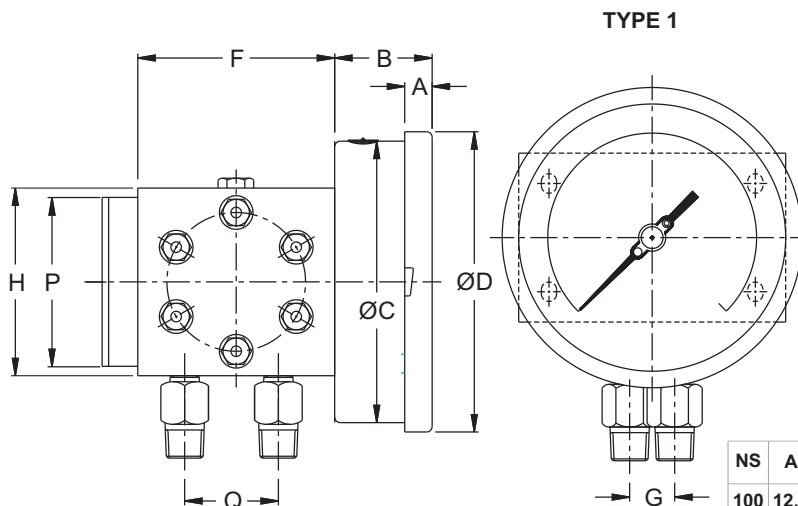
**LOW PRESSURE CHAMBER**

NS	A	B	ØC	ØD	F	H	G	Q	J	K	L	Weight in gram (With Box)
100	12.5	47	100	111	150	150	24	54	161	39	101	9000.0
150	15	49	149	161	150	150	24	54	161	39	101	9250.0



**LOW PRESSURE CHAMBER**

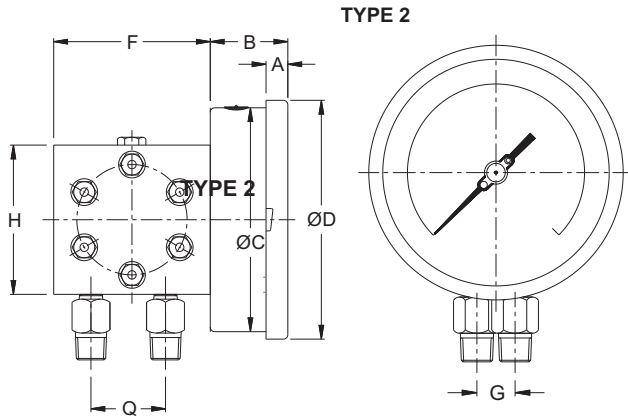
NS	A	B	ØC	ØD	F	H	G	Q	P	M	L	Weight in gram (With Box)
100	12.5	47	100	111	150	150	24	54	90	15	150	8410.0
150	15	49	149	161	150	150	24	54	90	15	150	8560.0



**HIGH PRESSURE CHAMBER**

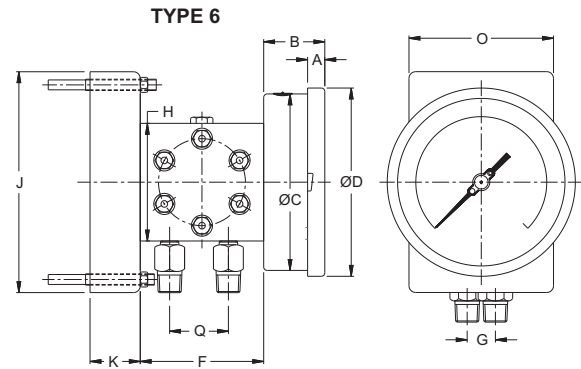
NS	A	B	ØC	ØD	F	H	G	Q	P	M	L	Weight in gram (With Box)
100	12.5	47	100	111	150	150	25	54	90	15	150	4610.0
150	15	49	149	161	150	150	25	54	90	15	150	4760.0

## Dimensions - standard version



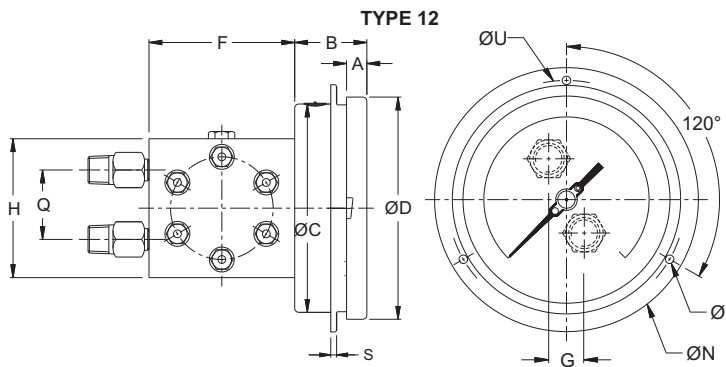
**HIGH PRESSURE CHAMBER**

NS	A	B	ØC	ØD	F	H	G	Q	Weight in gram (With Box)
100	12.5	47	100	111	105	100	25	54	4250.0
150	15	49	149	161	105	100	25	54	4400.0



**HIGH PRESSURE CHAMBER**

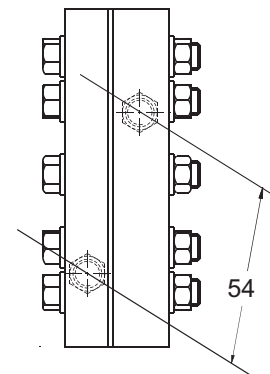
NS	A	B	ØC	ØD	F	H	G	Q	J	K	L	Weight in gram (With Box)
100	12.5	47	100	111	150	150	24	54	161	39	101	5000.0
150	15	49	149	161	150	150	24	54	161	39	101	5250.0



**HIGH PRESSURE CHAMBER**

NS	A	B	ØC	ØD	F	H	G	Q	Weight in gram (With Box)
100	12.5	47	100	111	105	100	25	54	4250.0
150	15	49	149	161	105	100	25	54	4400.0

**DETAILS - CENTER DISTANCE**



- Notes :
- Drawings are not to scale.
  - All Dimensions are in mm.
  - NS = Nominal Size.

## Range Table

Note : We offer Pressure, Vacuum and Compound ranges in Scales like kPa, MPa, bar, psi, kg/cm<sup>2</sup> & Dual Scale like kPa with psi, kPa with bar, bar with psi or scales as per the requirement can be provided on request. Following are the example tables for kg/cm<sup>2</sup> & psi scales

### Pressure range (Single Scale)

Low Pressure			High Pressure		
mmWC	mmWC	mmWC	kg/cm <sup>2</sup>	kg/cm <sup>2</sup>	kg/cm <sup>2</sup>
0/250	0/1000	0/4000	0/1	0/2.5	0/10
0/400	0/1600	0/6000	0/1.6	0/4	
0/600	0/2500		0/2	0/7	

Note : Other Scale are available on customer request.

### Accessories (refer datasheet for complete specifications)

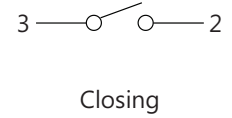
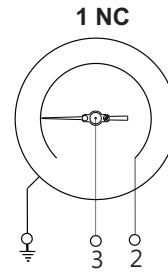
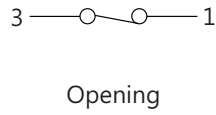
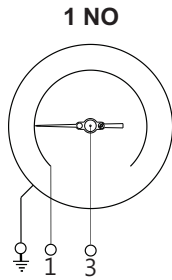
\* Manifolds

\* Refer catalogue for Valves & Manifolds

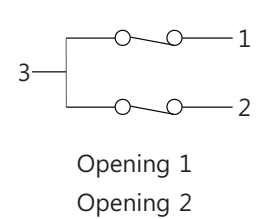
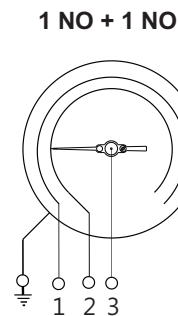
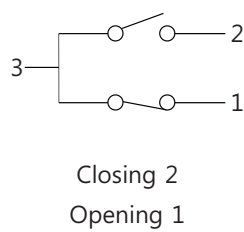
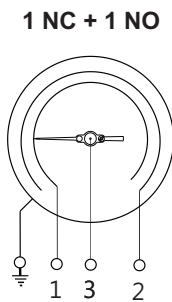
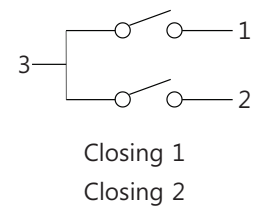
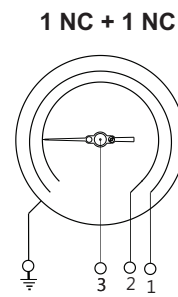
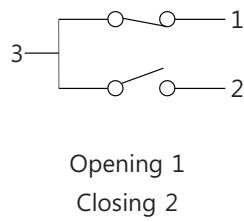
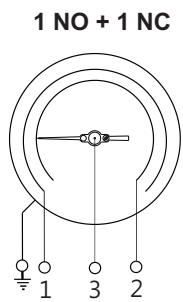
## Electrical Contact Wiring Information

### Wiring diagrams for electric contacts

#### Single Contact



#### Double contact



Electrical Contact Wiring Information				Example
<b>Basic Model</b>				DD1
<b>Code</b>				
<b>Nominal Size</b>	<b>40</b>	<b>60</b>		XX
	100 mm	150 mm		
<b>Type of Mounting</b>				
1	Wall / surface / projection mounting with bottom entry			
2	Direct bottom entry			X OR XX
6	2" pipe / yoke mounting bottom entry (mounting bracket will be provided of steel epoxy painted.)			
12	Center back entry with front flange (suitable for high pressure chamber only)			
<b>Gauge Process Connection (* These connections are provided through adaptors.)</b>				
<b>4BM</b>	1/4" NPT (M) x 1/2" BSP (M) X 2 Nos.*	<b>4BF</b>	1/4" NPT (M) x 1/2" BSP (F) X 2 Nos.*	XXX
<b>4NM</b>	1/4" NPT (M) x 1/2" NPT (M) X 2 Nos.*	<b>4NF</b>	1/4" NPT (M) x 1/2" NPT (F) X 2 Nos.*	
		<b>2NF</b>	1/4" NPT (F) X 2 Nos. (Standard)	
<b>Diaphragm</b>				
<b>SP</b>	Spring Steel With PTFE Coating (Standard for Ranges 0.6 kg/cm <sup>2</sup> and Above)			XX
<b>S6</b>	AISI 316 SS (Standard for Pressure Ranges Below 0.6 kg/cm <sup>2</sup> )			
<b>Chamber</b>				
<b>S4</b>	AISI 304 SS (Standard)	<b>S6</b>	AISI 316 SS	XX
<b>Range</b>				
Refer range table				0/2 kg/cm <sup>2</sup>
<b>Options</b>				
<b>CBS</b>	AISI 316 SS case & bezel	<b>CNS</b>	Conformity as per NACE Standard	XXX
<b>DLG</b>	Dampening liquid glycerine	<b>TFC</b>	Calibration certificate traceable to National/International standards	
<b>DLS</b>	Dampening liquid silicon oil**	<b>MTC</b>	Material test certificates#	
<b>CDD</b>	Custom designed dial	<b>PY4</b>	2" pipe/yoke mounting bracket (AISI 304 SS)	
<b>TND</b>	Dial tag marking	<b>PY6</b>	2" pipe/yoke mounting bracket (AISI 316 SS)	
<b>STP</b>	SS tag plate	<b>DOF</b>	Dielectric oil filled**	
<b>MRP</b>	Maximum reading pointer with plexi glass (for dry version)*			
* For ranges 2.5 kg/cm <sup>2</sup> and above. ** Gasket & plug of Viton.				
# Material test certificates will be provided for wetted parts only with chemical composition testing. For others, Please consult factory				
<b>Electric Contacts (CE Approved)</b>				
(For dry version, with ingress protection up to IP 55 & poly carbonate dome as a window)				
<b>A) Single insulated magnetic snap action type (230 V AC, 1 Amp.)(48 V DC, 0.5 Amp.) (Available for 1 kg/cm<sup>2</sup> &amp; above)</b>		<b>B) Inductive type (220 V AC, 0.4 Amp.) (Available for 1000 mm WC &amp; above )</b>		
<b>M1</b>	Single; normally closed (1 NC)	<b>D1</b>	Single; normally open (1 NO)	XX
<b>M2</b>	Double; normally closed + normally open (1 NC + 1 NO)	<b>D2</b>	Single; normally closed (1 NC)	
<b>M3</b>	Single; normally open (1 NO)	<b>D3</b>	Double; normally closed + normally open (1 NC + 1 NO)	
<b>M4</b>	Double; normally open + normally closed (1 NO + 1 NC)	<b>D4</b>	Double; normally open (both NO)	
<b>M5</b>	Double; normally closed (both NC)	<b>D5</b>	Double; normally closed (both NC)	
<b>M6</b>	Double; normally open (both NO)	<b>D6</b>	Double; normally open + normally closed (1 NO + 1 NC)	
<b>Ordering Example: DD1 - XX - X OR XX - XXX - XX - XX - 0/2 kg/cm<sup>2</sup> - XXX - XX</b>				

For other optional items, please contact factory for delivery and minimum quantity of order.

Note : Specifications and dimensions given in this product catalogue represents the state of engineering at the time of printing .  
Modifications may take place and materials specified may be replaced by others without prior notice.