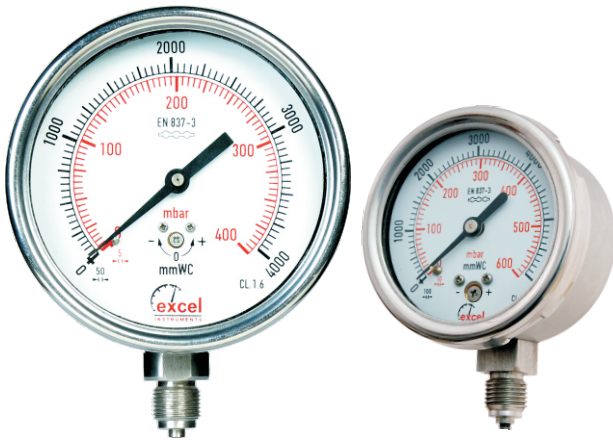


## CC4

All SS (SS 304) Pressure Gauge  
Capsule type

## CC6

All SS (SS 316) Pressure Gauge  
Capsule type



CE

### Special Features

- Stainless steel case & ring
- Available ranges: 10 mbar to 1000 mbar
- Compact design
- Provision for zero adjustment
- Standard followed in general EN 837-3

### Application

- Low pressure draft measurement
- Food & beverages,
- Pharmaceutical
- Breweries
- Conventional
- Nuclear power plants
- Clean air
- Gaseous
- Low viscous liquid & non corrosive media that will not obstruct the pressure system.

### Specifications

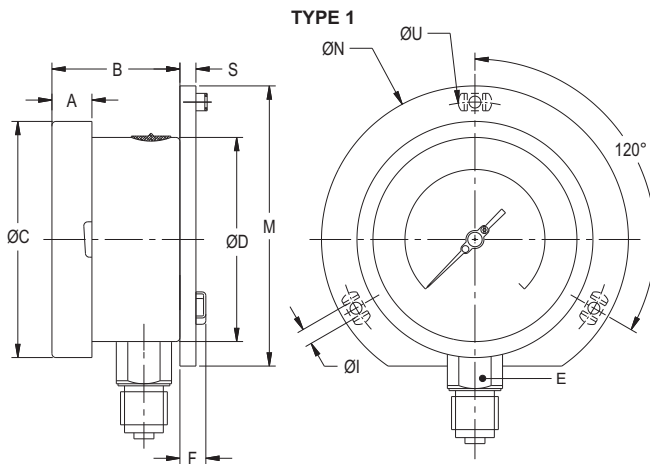
#### Standard Version : 63 mm, 100 mm, & 150 mm

Accuracy	: ±1.6% F.S.
Ambient temperature	: - 25°C to + 65°C
Process temperature	: Max 150°C
Operating pressure	: 75% of Scale Value
Over pressure	: 120% of Max. Scale Value
Case & Bezel	: AISI 304 SS (Bayonet Type)
Capsule	: AISI 316 SS
Socket	: <b>AISI 304 SS (Model : CC4) AISI 316 SS (Model : CC6)</b>
Movement	: Brass (Model : CC4) AISI 304 SS (Model : CC6)
Joints	: Tig Argon Arc Welding
Protection	: IP 68 ( <b>IP 55 for NS 63 mm</b> )
Dial	: Aluminium, black graduation on white background with zero adjustment provision
Pointer	: Aluminium, black Coloured, Fixed
Window	: Toughened Glass
Gasket & Vent Plug	: Neoprene

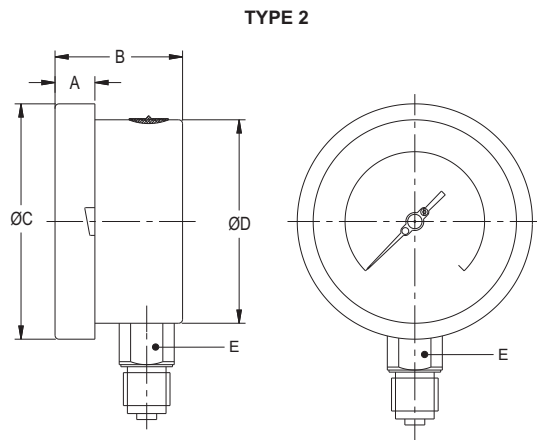
#### Temperature effect :

The variation of indication caused by effects of temperature is to be calculated by below formula; which is to be added in the specified accuracy while measurement :- Formula :  $\pm 0.06 \times (t_2 - t_1) \% \text{ of F. S.}$  where  $t_1$  = reference temperature (+20°C) and  $t_2$  = ambient temperature in °C.

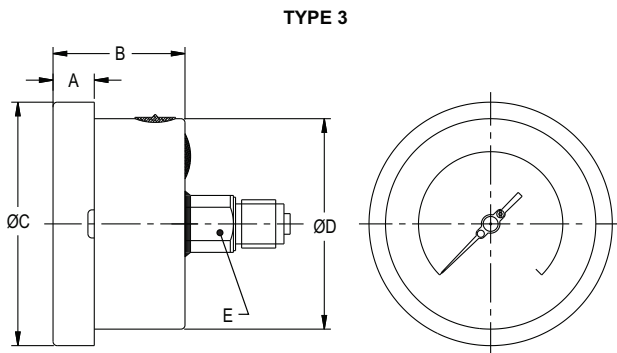
## Dimensions - standard version



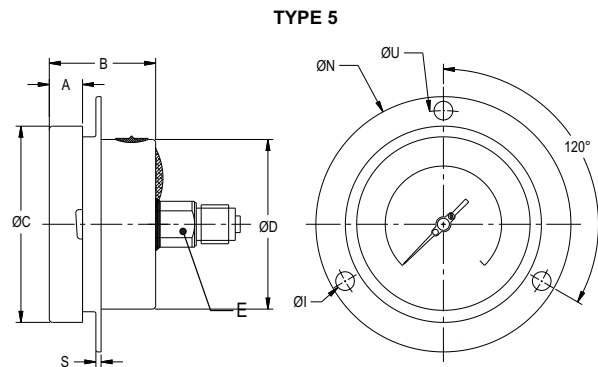
NS	A	B	ØC	ØD	E	M	S	F	ØI	ØN	ØU	Weight in gram (With Box)
63	12.5	46	111	100	22	128	6	14.5	6	134	118	690
125	15	47	129	119	22	143	4	15	6	152	138	760
150	15	47	161	149	22	174.5	5.5	15	6	186	168	1110



NS	A	B	ØC	ØD	E	Weight in gram (With Box)
100	12.5	48	111	100	22	605
125	15	48	129	119	22	670
150	15	49	161	149	22	1030



NS	A	B	ØC	ØD	E	Weight in gram (With Box)
100	12.5	47	111	100	22	640.0
125	15	48	129	119	22	750.0
150	15	49	161	149	22	1000.0



NS	A	B	ØC	ØD	E	S	ØI	ØN	ØU	Weight in gram (With Box)
63	12.5	34	70	62.5	22	1	6	86	75	300.0
100	12.5	47	111	100	22	1	6	134	118	695.0
125	15	48	129	119	22	4	6	150	137	850.0
150	15	49	161	149	22	5	6	186	168	1100.0

Notes : • Drawings are not to scale. • All Dimensions are in mm. • NS = Nominal Size.

## Range Table

Note : We offer National / International Scales like mbar, kPa, inWC, MWC, inHg, mmHg & Dual Scale or Equivalent scales as per the requirement can be provided on request. Following are the example tables for mmWC scales

### Pressure range

Single scale - mmWC or With Dual Scale mmWC with mbar				
0/100	0/400	0/1000	0/2000	0/4000
0/250	0/600	0/1600	0/2500	0/6000

### Vacuum & Compound range

Single scale - mmWC				
- 250/0	- 600/0	- 1600/0	- 2500/0	- 6000/0
- 400/0	- 1000/0	- 2000/0	- 4000/0	
Single scale - mmWC				
- 100/150	- 200/400	- 600/1000	- 1000/1500	- 2000/4000
- 150/250	- 400/600	- 800/1200	- 1500/2500	

### Accessories (Refer datasheet for complete specifications)

**GC** Gauge cock                      **SP** Siphon

## How To Order

How To Order							Example	
<b>Basic Model</b>							CC4 or CC6	
<b>Code</b>								
<b>Nominal Size</b>							XX	
		<b>25</b>	<b>40</b>	<b>45</b>	<b>60</b>			
		63 mm	100 mm	125 mm	150 mm			
<b>Type of Mounting</b>								
<b>1</b>	Wall/ surface/ projection mounting With bottom entry	✓	✓	✓	✓			
<b>2</b>	Direct bottom entry	✓	✓	✓	✓		X	
<b>4</b>	Direct centerback entry	✓	✓	✓	✓		OR	
<b>12</b>	Center back entry with front flange	✓	✓	✓	✓		XX	
<b>Gauge Connection</b> (# Applicable for NS 63 mm Direct Bottom Entry)								
<b>2BM</b>	¼" BSP (M)#	<b>3BM</b>	3/8" BSP (M)*	<b>4BM</b>	½" BSP (M)*	<b>4MM</b>	M20 x 1.5 (M)*	XXX
<b>2NM</b>	¼" NPT (M)#	<b>3NM</b>	3/8" NPT (M)*	<b>4NM</b>	½" NPT (M)*			
* These connections will be provided through adaptors for NS 63 mm. Consult factory for minimum order quantity, price & delivery.								
<b>Range</b>							0/600 mmWC	
Refer range table								
<b>Optional extras</b> (** For NS 100 mm & above)								
<b>CBS</b>	AISI 316 case & bezel**	<b>STG</b>	Shatterproof / safety glass					
<b>TRC</b>	Calibration certificate traceable to national/ International standards	<b>TND</b>	Tag No. Marking on Dial					
<b>DSS</b>	Integral dampening screw (AISI 316 SS)	<b>MTC</b>	Material test certificates*				XX	
<b>CDD</b>	Custom designed dial	<b>STP</b>	SS tag plate					
<b>PLG</b>	Plexi glass	<b>VPO</b>	ON-OFF type vent plug					

\* Material test certificates will be provided for wetted parts only with chemical composition testing. For others, please consult Factory.

### Ordering Example : CC4 - XX - X or XX - XXX - 0/600 mmWC - XXX

For other optional items, please contact factory for delivery and minimum quantity of order.

Note : Specifications and dimensions given in this product catalogue represents the state of engineering at the time of printing. Modifications may take place and materials specified may be replaced by others without prior notice.