



GOST

Special Features

- External zero adjustment (optional)
- Solid Front design features baffle wall interposed between the sensing system & the window, and a Pressure relieving back for increased safety.
- Accuracy $\pm 0.5\%$ F.S. (optional)
- Stainless steel blow off back
- Standard followed EN 837-1

Application

- Suitable for high pressure gas
- Corrosive / hazardous Environment that will not obstruct the pressure system.

Specifications

Standard Version : 100 mm & 150 mm

Accuracy	:	$\pm 1.0\%$ of F.S.
Ambient temperature	:	- 20°C to + 65°C
Process temperature	:	Max 300°C
Operating pressure Range	:	75% of Scale Value
Over pressure limit	:	≤ 100 bar : 125% of Max. Scale Value
	:	> 100 to ≤ 600 bar : 115% of Max. Scale Value
	:	> 600 to ≤ 1600 bar : 110% of Max. Scale Value

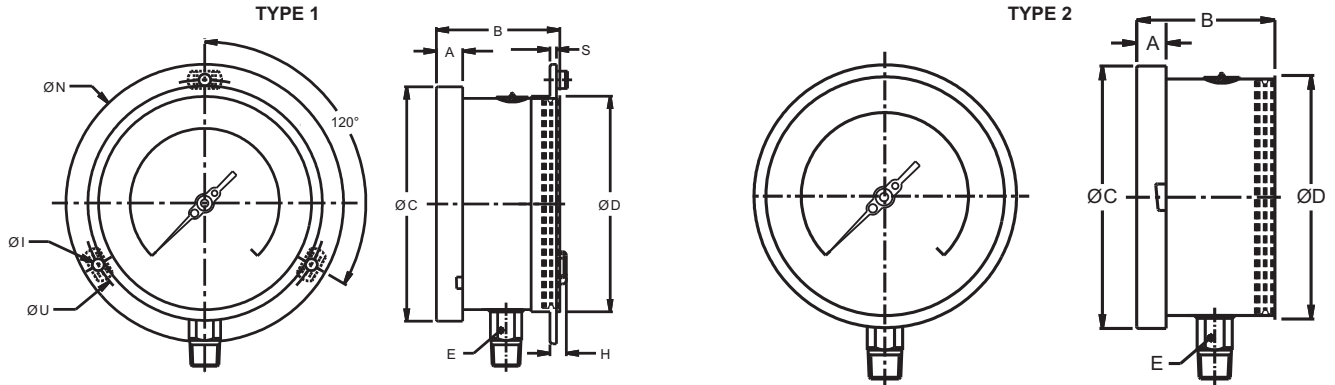
Case & Bezel	:	AISI 304 SS (Bayonet Type)
Bourdon	:	AISI 316 SS
Socket	:	AISI 316 SS (Directly welded to case)
Movement	:	AISI 304 SS
Joints	:	Tig Argon Arc Welding

Protection	:	IP 68
Dial	:	Aluminum, black graduation on white background
Pointer	:	Aluminum, black Coloured Micrometer Zero Adjustable
Window	:	Shatterproof / Safety Glass
Blow off Disc	:	AISI 304 SS
Gasket & Filling Plug	:	Neoprene

Temperature effect :

The variation of indication caused by effects of temperature is to be calculated by below formula; which is to be added in the specified accuracy while measurement :- Formula : $\pm 0.04 \times (t_2 - t_1) \%$ of F. S. where t_1 = reference temperature (+20°C) and t_2 = ambient temperature in°C.

Dimensions - standard version



NS	A	B	ØC	ØD	E	ØN	ØU	H	ØI	S	Weight in gram (With Box)	Weight in gram (With Glycerin & Box)
100	12.5	70	111	100	22	134	76	15	6	1	860.0	1170.0
150	15	70	161	149	22	186	118	15	6	1	1440.0	2230.0

NS	A	B	ØC	ØD	E	Weight in gram (With Box)	Weight in gram (With Glycerin & Box)
100	12.5	70	111	100	22	760.0	1070.0
150	15	70	161	149	22	1300.0	2090.0

- Notes :
- Drawings are not to scale.
 - All Dimensions are in mm
 - NS = Nominal Size
 - Weights mentioned are approximate and for standard product.
 - Weight can be different after selection of options.

Range Table

Note : We offer National / International Scales like kPa, MPa, bar, psi, kg/cm² & Dual Scale like kPa with psi, kPa with bar, bar with psi or Equivalent scales as per the requirement can be provided on request. Following are the example tables for kg/cm² & psi scales

Range with nominal sizes

Single scale (kg/cm² or bar)

0/0.6	0/4	0/25	0/160	0/1000
0/1	0/6	0/40	0/250	0/1600
0/1.6	0/10	0/60	0/400	
0/2.5	0/16	0/100	0/600	

Dual scale (psi with kg/cm²)

psi	kg/cm ²	psi	kg/cm ²	psi	kg/cm ²
0/15	0/1	0/400	0/28	0/4000	0/280
0/30	0/2	0/500	0/35	0/5000	0/350
0/60	0/4	0/600	0/40	0/6000	0/400
0/100	0/7	0/1000	0/70	0/10000	0/700
0/150	0/10	0/1500	0/100	0/15000	0/1000
0/230	0/16	0/2300	0/160	0/23000	0/1600
0/300	0/20	0/3000	0/200		

Range Table

Vacuum & Compound range

Dual scale					
inHg with psi	mmHg with kg/cm ²	inHg with psi	mmHg with kg/cm ²	inHg with psi	mmHg with kg/cm ²
- 30/0	- 760 / 0	- 30/60	- 760 / 4	- 30/200	- 760 / 14
- 30/15	- 760 / 1	- 30/100	- 760 / 7	- 30/300	- 760 / 21
- 30/30	- 760 / 2	- 30/150	- 760 / 10		
Single scale (kg/cm ² or bar)					
- 1/0		- 1/1.5		- 1/5	- 1/15
- 1/0.6		- 1/3		- 1/9	- 1/24

Accessories (Refer datasheet for complete specifications)

CT	Cooling tower	*	Needle valve
GC	Gauge cock	SN	Snubber
GS	Overload protector (gauge saver)**	SP	Siphon

* Refer catalogue for Valves & Manifolds

** For Pressure Ranges.

How To Order

Example

Basic Model				
Code				SF6
Nominal Size				XX
		40	60	
		100 mm	150 mm	
Type of Mounting				X
1	Wall/surface/projection mounting with bottom entry	6	2" pipe / yoke mounting with bottom entry*	
2	Direct bottom entry			
* MOC of bracket and 'U' clamp will be steel (painted). Ask factory for drawings, if required.				
Gauge Connection				XXX
3BM	3/8" BSP (M)	4BM	1/2" BSP (M) (Standard)	
		4NM	1/2" NPT (M) (Standard)	
		4MM	M20 x 1.5 (M)	
Note : Connections like Metric / PT / PF / Flaired / UNF / G / R etc can be provided on request.				
Range				0/10 kg/cm ²
Refer range table				
Optional extras				XXX
Ac5	Accuracy ±0.5% OF F.S. (dry version & except maximum reading pointer)	STP	SS Tag plate	
MBS	Monel bourdon & socket (Monel version)**#	TND	Tag No. Marking on Dial	
DSM	Integral dampening screw (Monel)#	HLT	Helium leak test	
PLG	Plexi glass	CNS	Conformity as per NACE Standard	
MDJ	Movement with dampening jelly	OXS	Oxygen service (for dry version)	
TRC	Calibration certificate traceable to National / International standards	CDD	Custom designed dial	
MTC	Material test certificates***	IOS	Internal over pressure stop	
ORP	Over range protection 150% of F. S.	IVS	Internal vacuum stop	
EZA	External zero adjustment	CBS	AISI 316 SS case & bezel	
		MOS	AISI 316 SS movement	
		VPO	On - off type vent plug	

*** Material test certificates will be provided for wetted parts only with chemical composition testing.

For others, please consult factory. # Integral dampening screw will be in monel if ordered. Refer option MBS.

Ordering Example : SF6 - XX - X - XXX - 0/10 kg/cm² - XXX

For other optional items, please contact factory for delivery and minimum quantity of order.

Note : Specifications and dimensions given in this product catalogue represents the state of engineering at the time of printing.
Modifications may take place and materials specified may be replaced by others without prior notice.